
In-ground Socket & Sleeve for Umbrella B200.02



DESIGN STATEMENT

Umbrella on footpath dining provides protective environment for footpath dining or public shaded area. In-ground socket provides a safe umbrella footing and allow easy daily storage for private umbrellas.

APPLICABLE LOCATION

For footpath dining, and as specified in public spaces.

COUNCIL STANDARD DRAWING

N/A

CROSS REFERENCE DOCUMENT

N/A

STANDARD SPECIFICATION

For blue stone and concrete footpath: use stainless steel finishes.

For asphalt: use black powder coated metal.

SUPPLIER

DDawson and Co. www.ddawson.com.au, Indoor Outdoor Imports www.indooroutdoor.com.au, Awnet www.awnetplus.com or similar.

MAINTENANCE

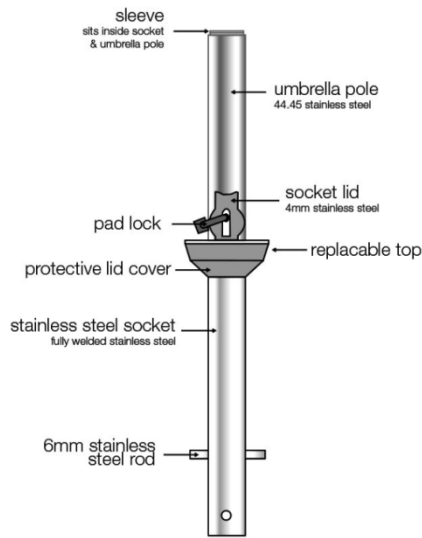
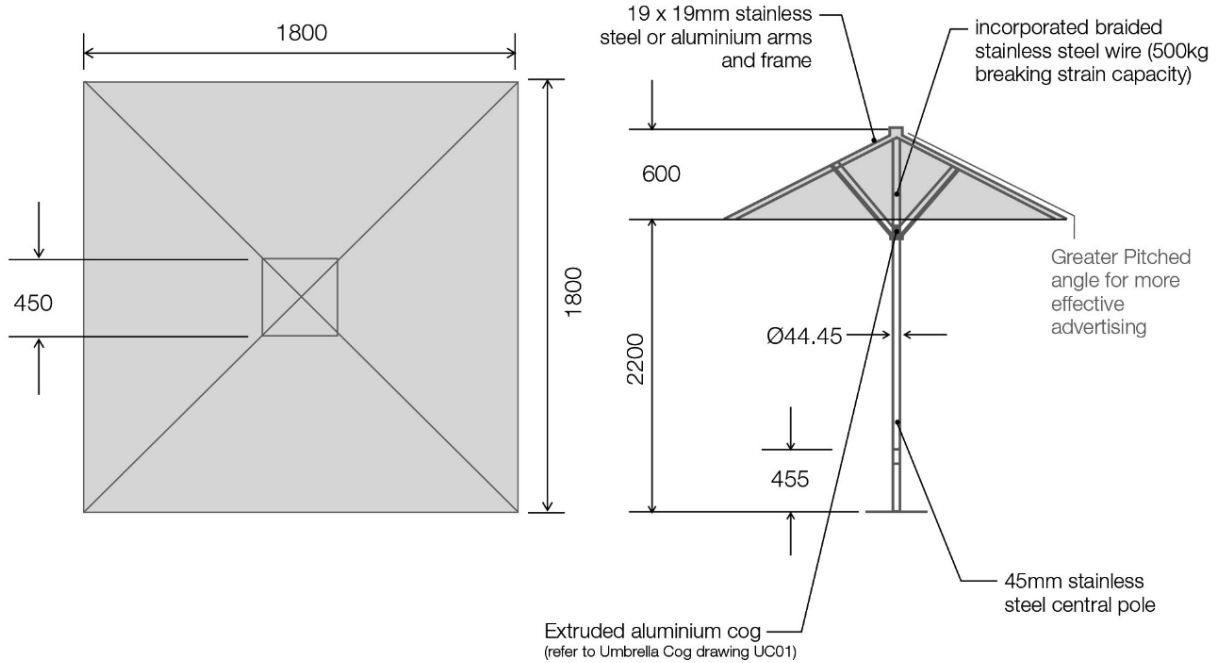
N/A

GENERAL

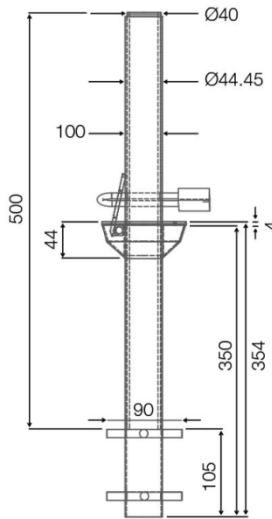
GENERAL NOTES

1. Refer to manufacturer's installation manual

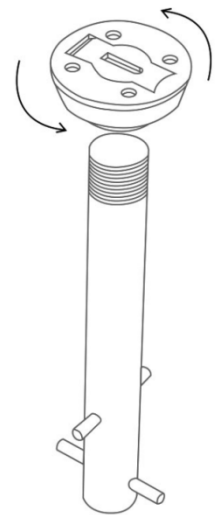
B200.02 In-ground Socket & Sleeve for Umbrella



FRONT VIEW



SIDE VIEW



TWIST TO DETACH