
Park Drinking Fountain B170.02



GENERAL NOTES

1. *For this Botton and Gardiner 'Prospect' product, the grate template needs to be installed in a concrete subbase prior to any surrounding concrete paving. Once the concrete subbase has cured, remove this template and install the grate and drinking fountain unit.*
2. *Refer also to manufacturer's installation manual.*

DESIGN STATEMENT

Drinking fountains are frequently required in open spaces to support a range of community needs including equal access, children and adults.

A selected product needs to include:

- A bubbler outstand for equal access (DDA)
- Spring release tap for drinking bottle refills
- A drainage outlet (either internal or using a grate to adjacent garden bed or storm water drainage)
- Easy to clean and maintain surfaces and product
- Tamper-resistant fixtures.

A dog bowl can also be included but not in playspaces.

APPLICABLE LOCATION

Merri-Bek open space including conservation areas, parks, playspaces and reserves.

COUNCIL STANDARD DRAWINGS

B170.02 Park Drinking Fountain.

CROSS REFERENCE DOCUMENT

- N/A

STANDARD SPECIFICATION

Product: 'Prospect' from Botton and Gardiner with drainage grate and push tap

Optional addition: Dog bowl

Materials: 314 marine grade stainless steel.

Provide separate conduit from the water meter with a backflow and shut-off valve. Install unit in a 350-400mm excavated trench with identifying tape. Provide drainage outlet to adjacent garden bed, sump pit or stormwater drainage.

Shut-off valve to be located no more than 2m from the drinking fountain. If dog bowl tap is included adjust the flow rate to suit mains pressure as per supplier's specification.

SUPPLIER

Botton & Gardiner or similar approved.

MAINTENANCE

Periodically check that drinking fountain is working. Address any issues including removal of debris from bubbler or leaking. Ensure that drainage outlet is functioning correctly and that all bolts are secured.

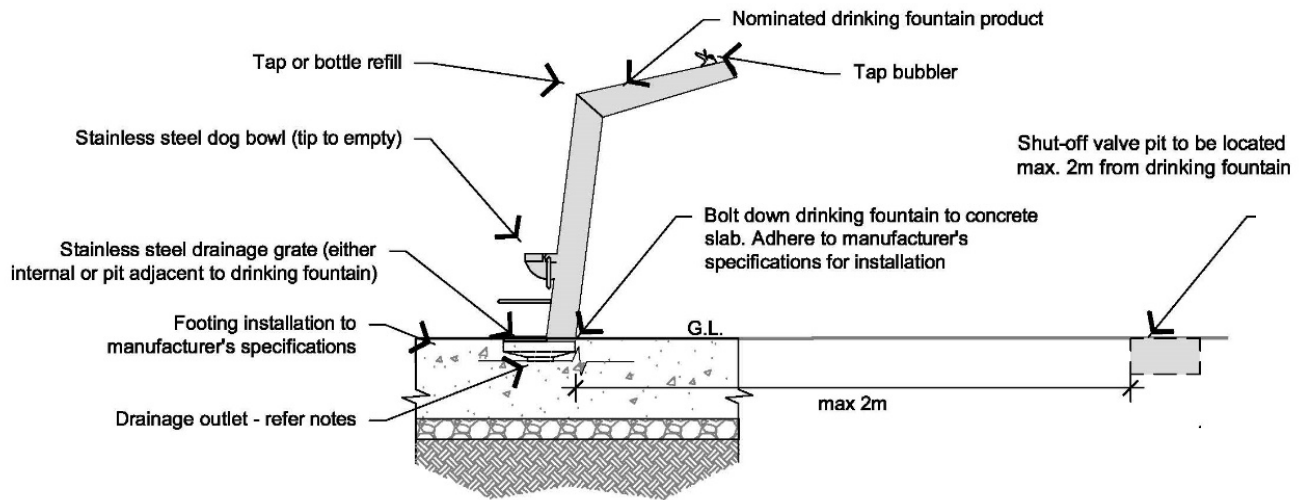
B170.02 Park Drinking Fountain

Note:

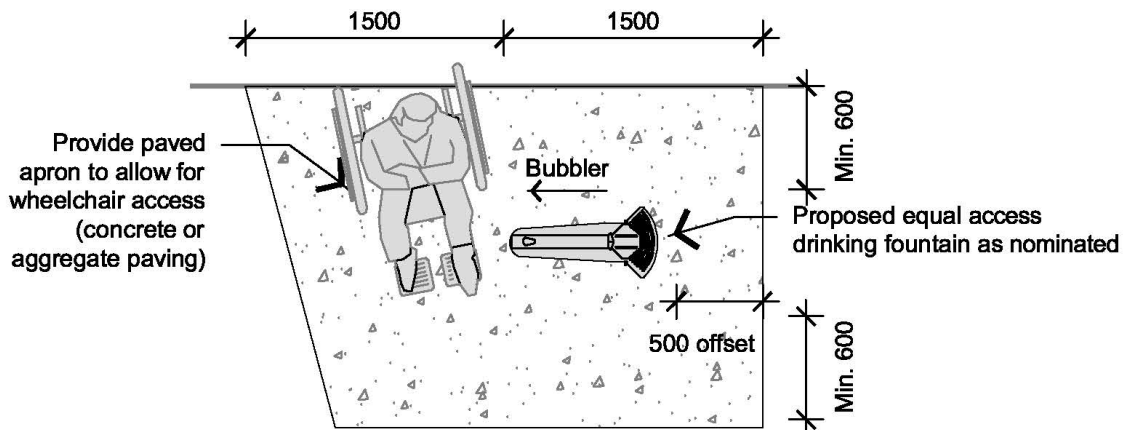
- Drinking fountain product and style can vary from shown. Preferred materials of main body include stainless steel with polished finish or powdercoated hot dipped galvanised steel.
- Ensure dog bowl can be emptied and a maintenance tap connection is provided. Flow rate for the dog bowl tap can be adjusted to work with mains pressure as per supplier's specifications.
- All drinking fountains are to be installed on a separate line from the water meter with a backflow and stop-off valve.
- Install the unit in a 350-400mm excavated trench with identifying tape.
- Drainage outlet to divert to adjacent garden bed, sump pit or stormwater drainage (whichever is closest). Ensure that there are no overflows into the path of access.
- All plumbing to be performed only by a licenced plumber and supplied with a plumbers certificate upon completion.

Placement:

- All drinking fountains must be positioned to allow for universal access and not to interfere with pedestrian circulation. Position typically 1m from back of kerb.



01 PARK DRINKING FOUNTAIN
Section 1:25



02 DRINKING FOUNTAIN LAYOUT
Plan View 1:50