
Bin Stand B140.04



DESIGN STATEMENT

The Bin Stand is the standard bin security post for use in local parks and footpaths. The stand retains the waste bin in place so it cannot be tipped over and the angled restraining arm ensures that the lid is kept closed when not in use.

For premium reserves a Park Bin Surround can be provided instead.

APPLICABLE LOCATIONS

Merri-bek open space including conservation areas, parks, playspaces and reserves.

COUNCIL STANDARD DRAWING

B140.04 Bin Stand.

CROSS REFERENCE DOCUMENT

- B140.03 Park Bin Surround.

STANDARD SPECIFICATION

Typical size is for a 240 litre bin.

Finish: Hot galvanised metal post.

Fixing: Bolt-down to concrete paving as detailed and as per manufacturer's specifications.

SUPPLIER

Draffin or similar approved.

MAINTENANCE

In addition to waste collection, ensure bin stand is still securely bolted to concrete paving.

GENERAL

PARK

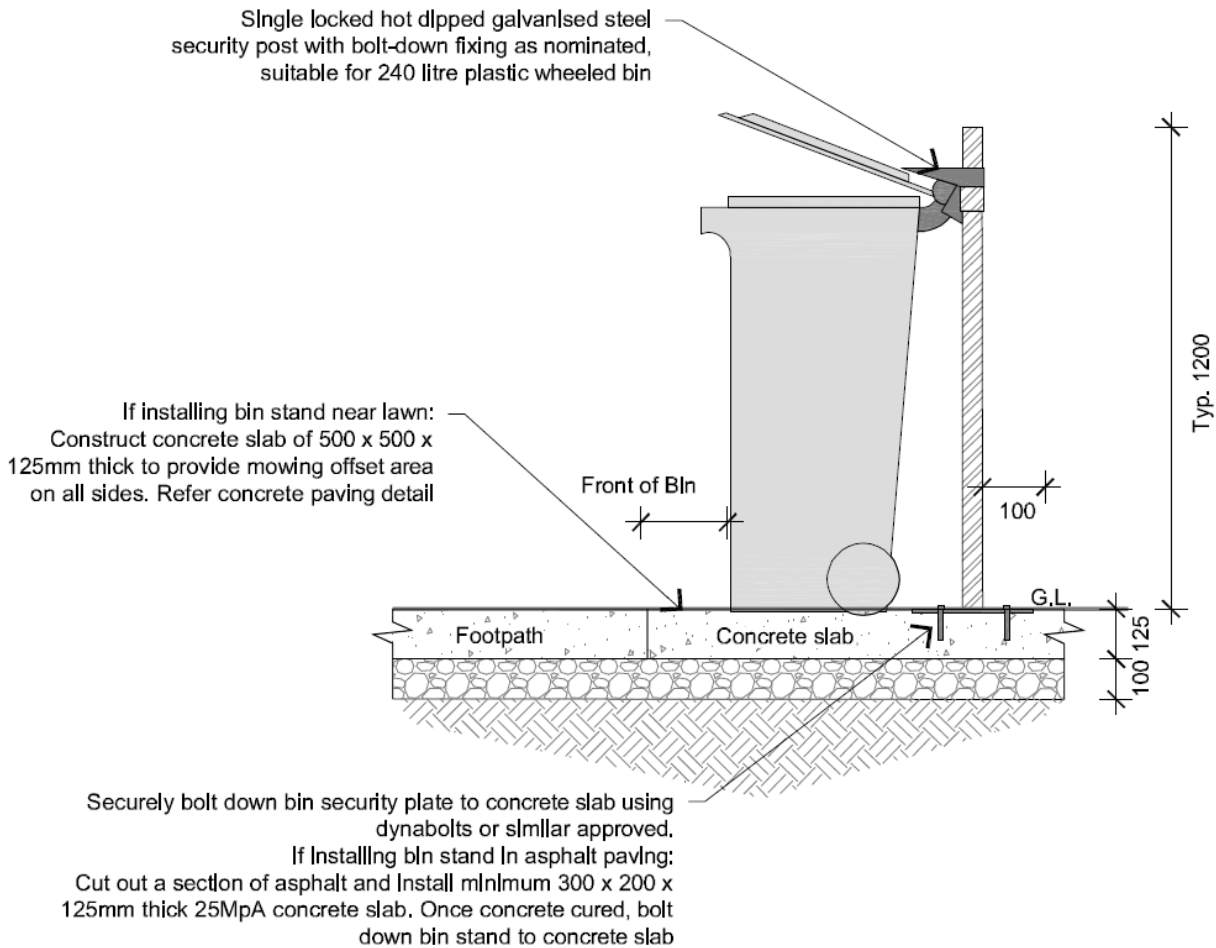
GENERAL NOTES

1. Refer to manufacturer's specifications for installation.

B140.04 Bin Stand

Notes:

- Bin stand to be bolted down to concrete slab rather than in-ground footing. Typical bin size: 240 litre.
- Install bin stand min. 600mm offset from back of kerb, fencing, structure or edge.
- Ensure bin stand is min. 2m away from adjacent seating, drinking fountain or other fixtures.
- If installing bin stand in asphalt paving, cut out a section of asphalt and install min. 300 x 200 x 125mm thick 25MpA concrete slab for bin stand. Once concrete has cured, bolt down bin stand to concrete slab.



01 BIN STAND (BOLT DOWN)
Cross Section 1:20