
Park Platform Seat B120.08



DESIGN STATEMENT

The selected Park Platform Seat provides informal seating and encourages social engagement for a small group of people. Having no arms or back rest, this differs from the Park Seat which offers more support for the less-abled.

The galvanised steel framing is sturdy and long wearing, fitted with composite or timber battens. Use of composite battens is the preferred material for enduring appearance and reduced maintenance needs.

APPLICABLE LOCATIONS

Merri-bek open space including conservation areas, parks, playspaces and reserves.

COUNCIL STANDARD DRAWINGS

B120.08 Parks Platform Seat.

CROSS REFERENCE DOCUMENT

- B120.04 Park Seat
- B120.05 Park Bench.

STANDARD SPECIFICATIONS

Size and material: 1500 x 1500mm seat with 40 x 30mm composite or timber battens and hot dipped galvanised frame. For high profile parks and sportsgrounds the frame may be powdercoated black.

SUPPLIER

Urban Design Group or similar approved.

MAINTENANCE

Replace any damaged slats with new slats of same matching colour and material.

For timber battens which are greying, a light sanding is recommended to refresh the timber.

Ensure bolts are still holding seat in place.

A painted frame can be recoated using similar paint after detergent degreasing and light abrasion.

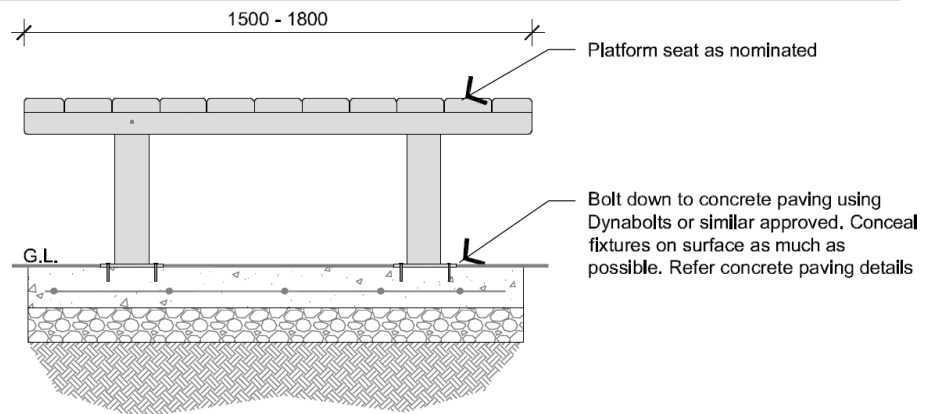
GENERAL NOTES

1. *Recycled plastic Enviroslat or similar approved battens.*

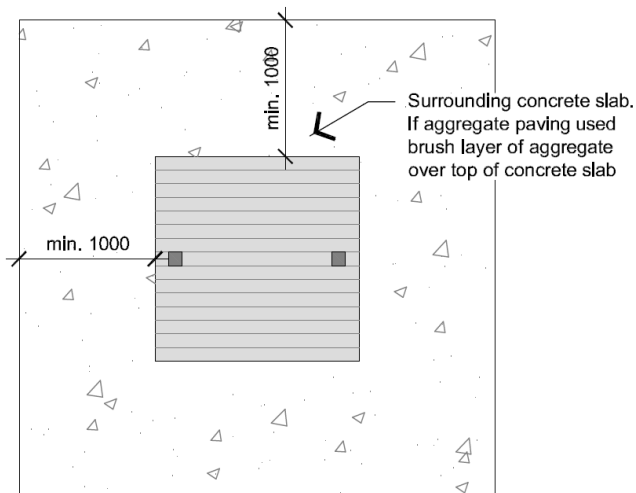
B120.08 Park Platform Seat

Notes:

- Platform Seat from nominated supplier. Typical size 1500 x 1500mm though can be 1800 x 1800mm.
- Seat to be bolted down to concrete slab in preference to in-ground footings.
- All furniture to have composite slats with hot dipped galvanised steel frame. All fixtures to be hot dipped galvanised.
- Inspect furniture at delivery to ensure no obvious damage visible. If this is the case to advise the Superintendent immediately prior to installation.



01 PARK PLATFORM SEAT
Side Elevation 1:20



02 PARK PLATFORM SEAT
Plan View 1:50