



DESIGN STATEMENT

The selected Park Seat has a back and two arm rests which provide comfort and ease of use for the less able-bodied. The seat has a classic design with a sturdy galvanised steel frame. Battens are either composite or timber battens, with composite battens being the preferred material for enduring appearance and reduced maintenance needs.

APPLICABLE LOCATIONS

Merri-bek open space including conservation areas, parks, playspaces and reserves.

COUNCIL STANDARD DRAWING

B120.04 Park Seat.

CROSS REFERENCE DOCUMENT

- B120.08 Park Platform Seat
- B120.05 Park Bench.

STANDARD SPECIFICATION

'Albert Park' style seat.

Dimensions: BH 840 x SH440 x W620 x L2000mm

Materials: hot dipped galvanised steel frame. For high profile parks and sportsgrounds the frame may be powdercoated black.

Battens: 40 x 30mm composite or stained hardwood.

Fixing: as detailed.

SUPPLIER

Commercial Systems Australia, Urban Design Group or similar approved.

MAINTENANCE

Replace any damaged slats with new slats of same matching colour and material.

For timber battens which are greying, a light sanding is recommended to refresh the timber.

Ensure bolts are still holding seat in place.

A painted frame can be recoated using similar paint after detergent degreasing and light abrasion.

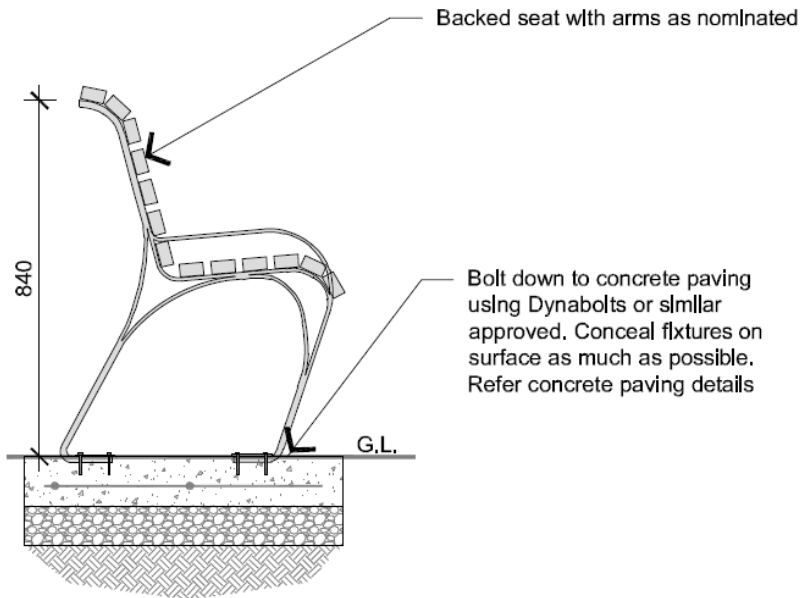
GENERAL NOTES

1. Recycled plastic Enviroslat or similar approved battens.

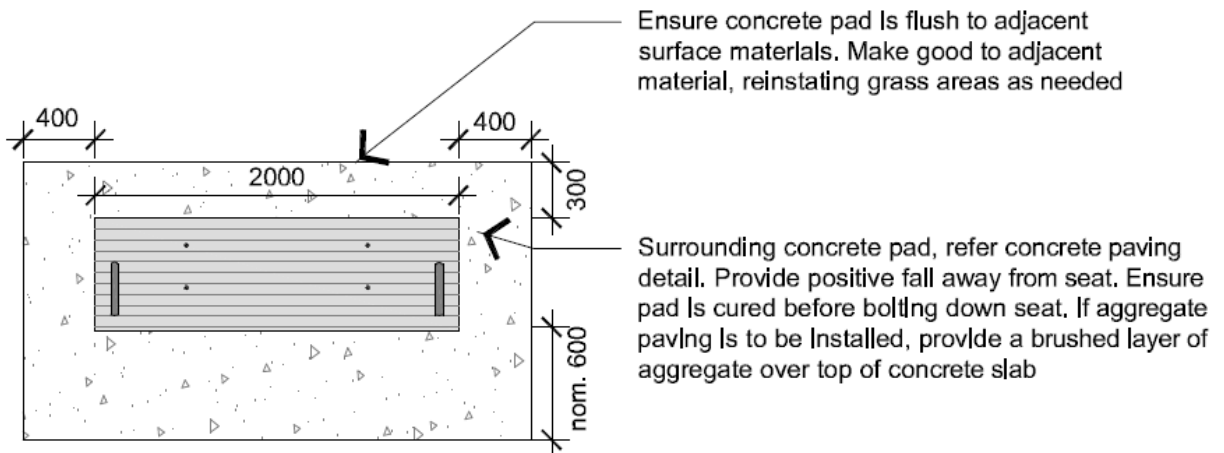
B120.04 Park Seat

Notes:

- Backed seat with arms from nominated supplier.
- Seat to be bolted down to concrete slab in preference to in-ground footings.
- All furniture to have composite slats with hot dipped galvanised steel frame. All fixtures to be hot dipped galvanised.
- Inspect furniture at delivery to ensure no obvious damage visible. If this is the case to advise the Superintendent immediately prior to installation.



01 PARK SEAT
Side Elevation 1:20



02 PARK SEAT
Plan View 1:50