
Standard Bench B120.02



DESIGN STATEMENT

Standard bench should be used where multi-directional seating is desirable. It is also appropriate for limited space such as narrow footpath in a busy pedestrian area. The bench design has been used in Activity Centres and is continued across for consistency.

APPLICABLE LOCATION

Activity centres area.

COUNCIL STANDARD DRAWING

N/A

CROSS REFERENCE DOCUMENT

- Merri-bek Small Shopping Strip Public Domain Manual

STANDARD SPECIFICATION

Type: Promenade Bench (FFSA001012)

Slats Finish:

- Option 1 - Recycled composite timber 'Walnut' EnviroSlats
- Option 2 - Hardwood timber slats size 30x40mm.

Armrest & Legs: Cast aluminium frame with:

- Option A - Stainless steel finish for the arm rest and legs.
- Option B - For shopping strips, Black paint finish from 2-pack paint protective coating such as Luxathane or similar.

Dimension: Length 1800 mm; Width: 430mm or 790mm (width specification to be confirmed with Council).

Installation: Bolt-down fixings to be used on concrete surface, sub-surface mountings to be used on asphalt. Location should be marked with chalk and confirmed with Council officers prior to permanent installation.

SUPPLIER

Furphy Foundry www.furphyfoundry.com.au or similar.

MAINTENANCE

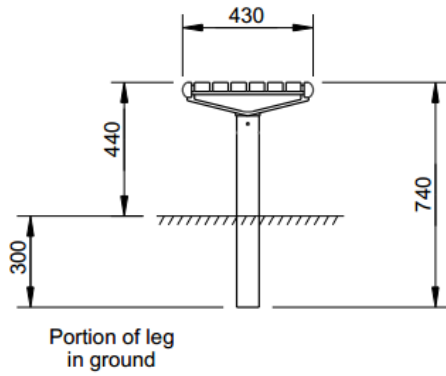
Council Roads Unit: Hardwood located in outdoor areas should be initially re-coated after 3 months, and every 6 months thereafter. Re-coating should be done with coats of timber oil. For degraded surface which appears greying and checking, a light sanding is recommended to freshen up the timber.

Street Cleansing Unit: Remove graffiti when required with graffiti remover for timber slats, or rub with metal scourer for composite timber slats. Paint on metal can be recoated using similar paint after detergent degreasing and light abrasion.

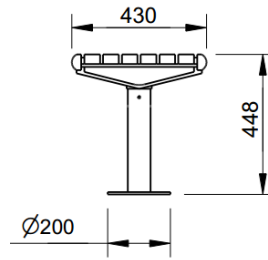
GENERAL NOTES

1. Refer to manufacturer's installation manual

B120.02 Standard Bench



In-ground installation



Bolted-down installation

