

Standard Seat B120.01



Option A: Brunswick, Coburg and Glenroy activity centres



Option B: Shopping Strip

DESIGN STATEMENT

The standard seat has comfortable slats with sturdy recycled cast aluminium. The back and armrest provides good support for older people and should be placed at adequate interval throughout the activity centre. The desirable placement of the seat is with its back to a tree or landscaping area. The seat design has been used in Activity Centres and is continued across for consistency.

APPLICABLE LOCATION

Activity centres area.

COUNCIL STANDARD DRAWING

N/A

CROSS REFERENCE DOCUMENT

- Merri-bek Small Shopping Strip Public Domain Manual

STANDARD SPECIFICATION

Type: Furphy Foundry, Promenade Seat (FFSA002023)

Slats Finish:

- Option 1 - Recycled composite timber 'Walnut' EnviroSlats
- Option 2 - Hardwood timber slats size 30x40mm.

Armrest & Legs:

- Option A - Stainless steel finish for the arm rest and legs.
- Option B - For shopping strips, Black paint finish from 2-pack paint protective coating such as Luxathane or similar.

Dimension: Length 1800 mm.

Installation: Bolt-down fixings to be used on concrete surface, sub-surface mountings to be used on asphalt. Location should be marked with chalk and confirmed with Council officers prior to permanent installation.

SUPPLIER

Furphy Foundry www.furphyfoundry.com.au or similar.

MAINTENANCE

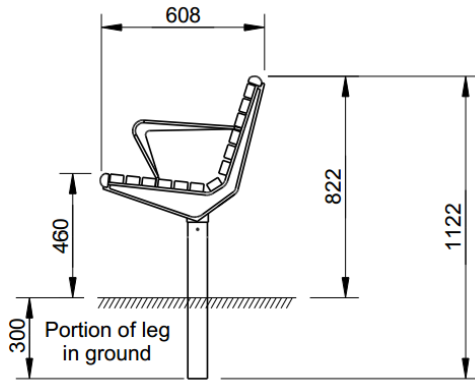
Council Roads Unit: Hardwood located in outdoor areas should be initially re-coated after 3 months, and every 6 months thereafter. Re-coating should be done with coats of timber oil. For degraded surface which appears greying and checking, a light sanding is recommended to freshen up the timber.

Street Cleansing Unit: Remove graffiti when required with graffiti remover for timber slats, or rub with metal scourer for composite timber slats. Paint on metal can be recoated using similar paint after detergent degreasing and light abrasion.

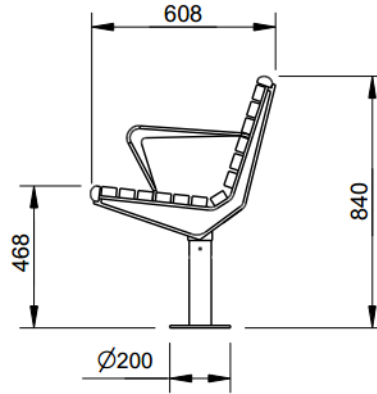
GENERAL NOTES

- Refer to the manufacturer's installation manual

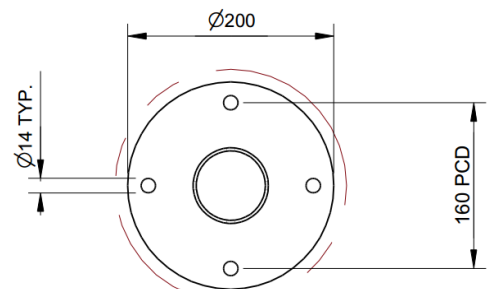
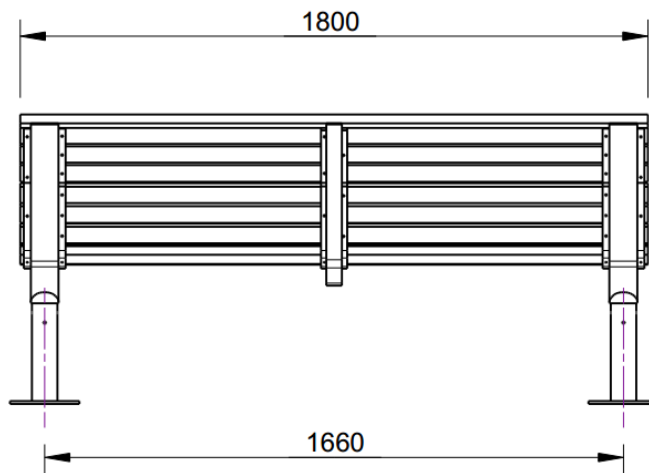
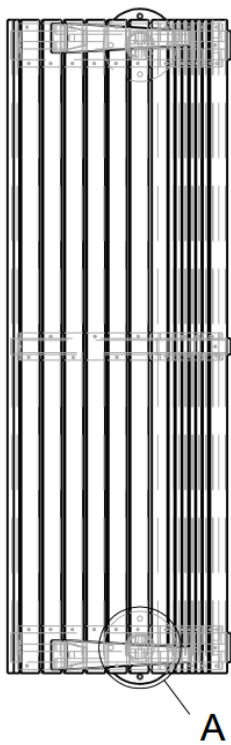
B120.01 Standard Seat



In-ground installation



Bolted-down installation



Detail A